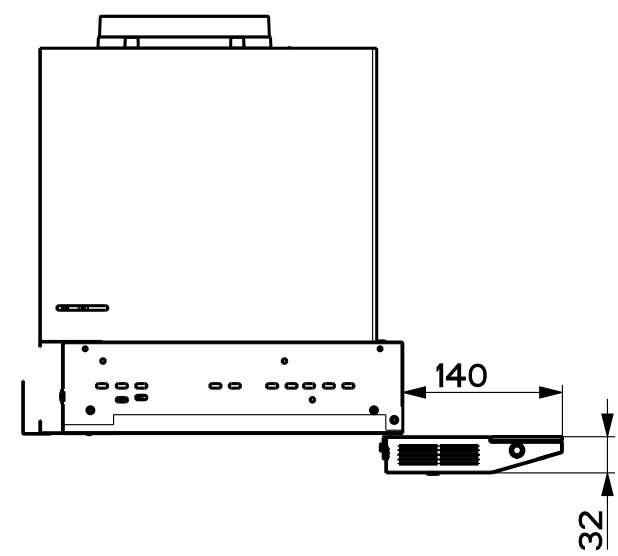
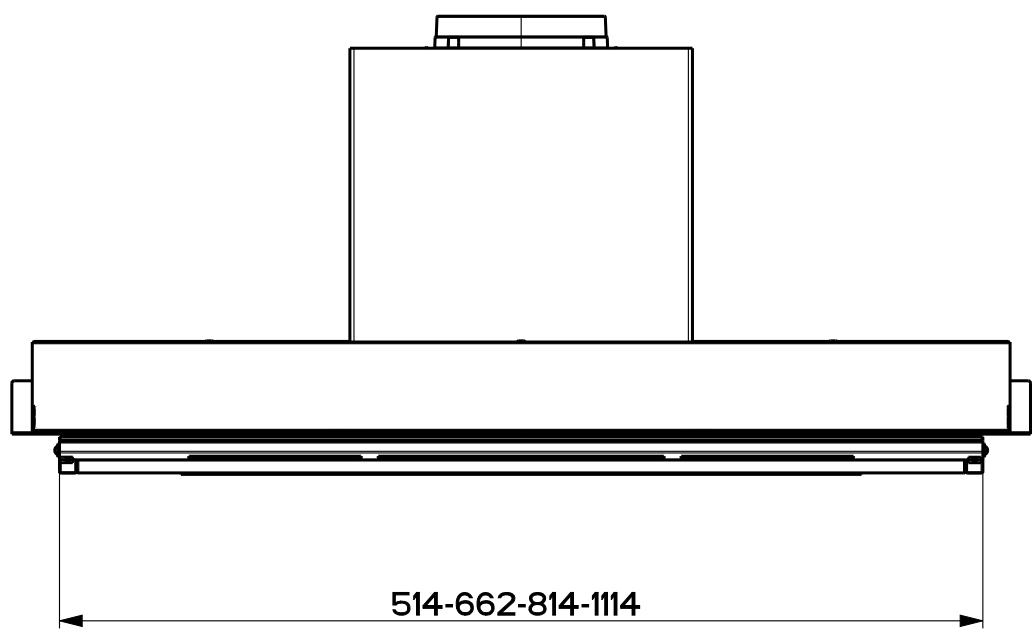
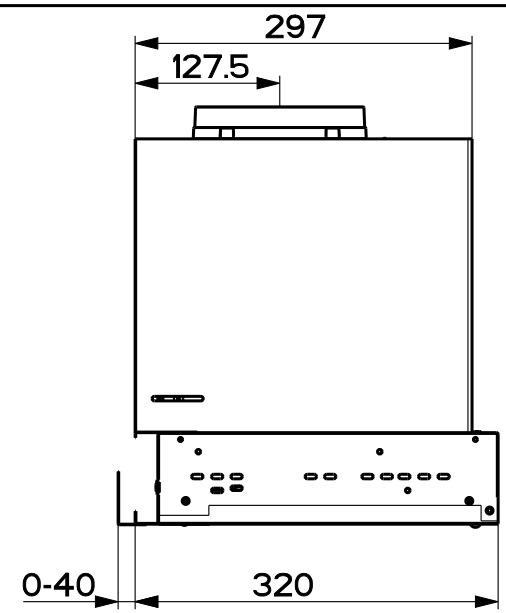
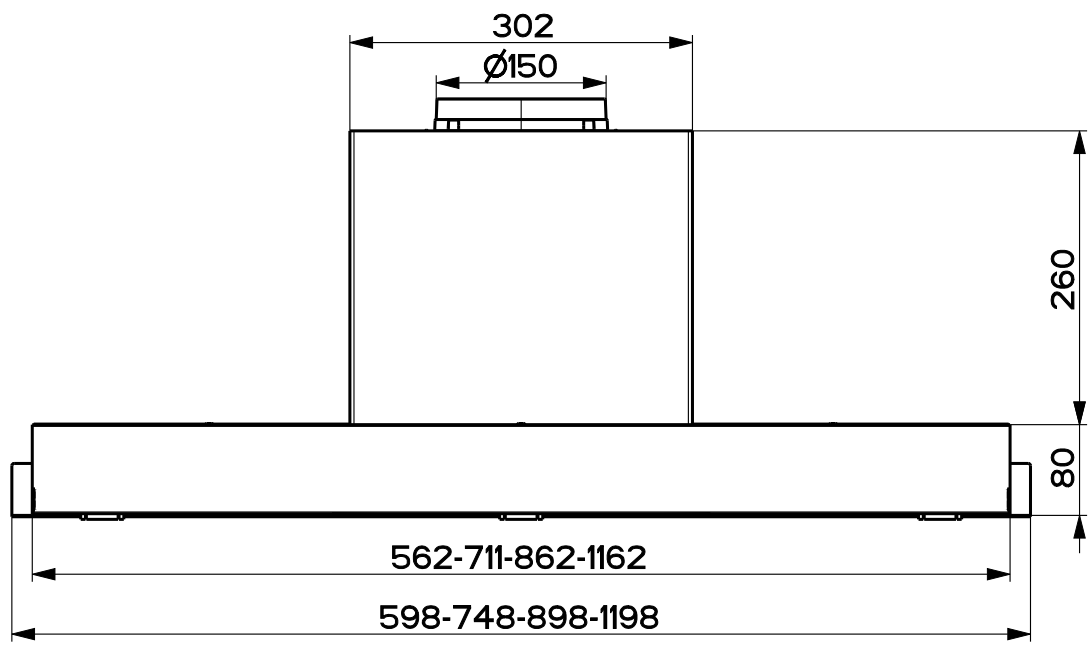


Denomination	
<b>DIMENSIONAL DRAWING EXTREME</b>	
Lang <b>EN</b>	Sheet <b>1/2</b>
Approval date <b>06-May-2025</b>	
Doc. status <b>Released</b>	
Drawing N.	Rev
<b>15B_912</b>	<b>01</b>



Denomination	
<b>DIMENSIONAL DRAWING EXTREME</b>	
Lang <b>EN</b>	Sheet <b>2/2</b>
Approval date <b>06-May-2025</b>	
Doc. status <b>Released</b>	
Drawing N.	Rev
<b>15B_912</b>	<b>01</b>